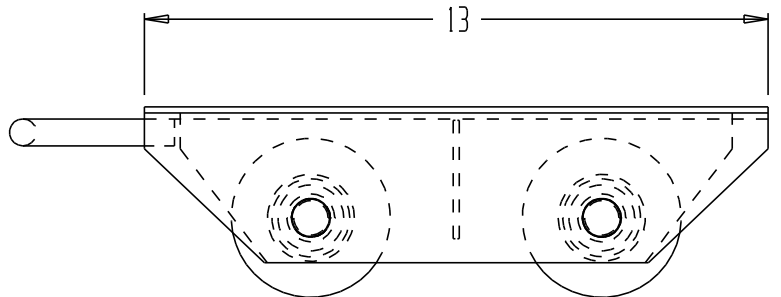
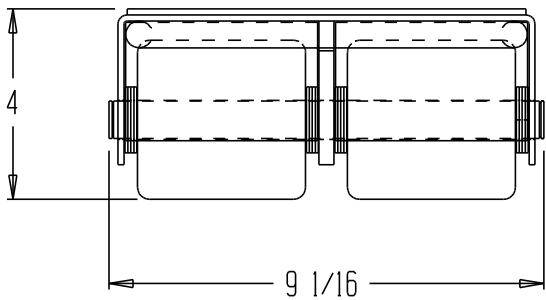
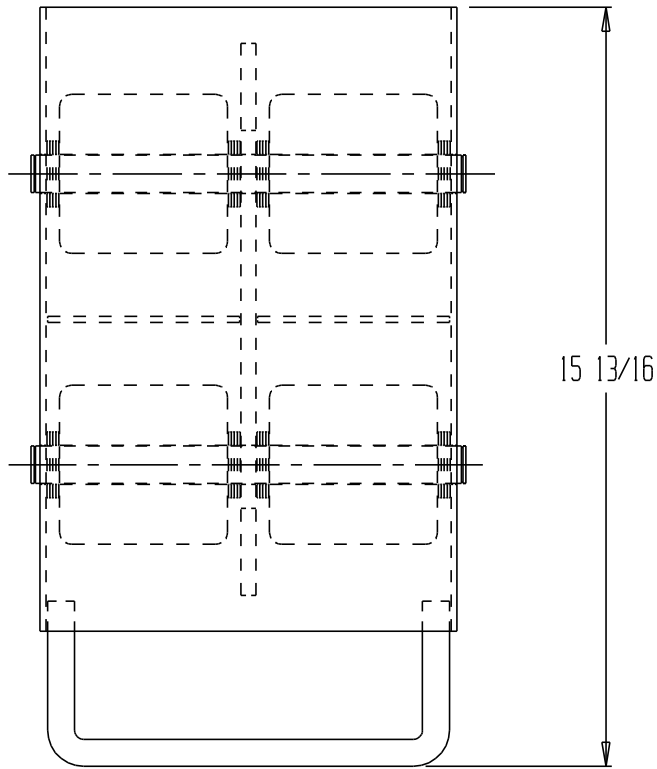


# FIXED MACHINERY SKATE - FMS-3



PRODUCTION WILL START UPON  
RECEIPT OF SIGNED APPROVAL  
DRAWING

## STANDARD FEATURES

MODEL NUMBER: FMS-3  
CAPACITY: 6,000 LBS.  
OVERALL WIDTH: 9 1/16"  
OVERALL LENGTH: 15 13/16"  
OVERALL HEIGHT: 4"  
(4) NYLON ROLLERS

## SPECIAL FEATURES

NONE

## APPROVAL

I, the undersigned, hereby approve this print  
 As drawn       As marked  
 This includes my approval of design & dimensions.  
 Signed: \_\_\_\_\_  
 Date: \_\_\_\_\_

\*\*SPECIAL UNITS ARE NON-RETURNABLE  
\*AVAILABLE AT ADDITIONAL COSTS

DISTRIBUTOR'S NAME: <b>T &amp; S EQUIPMENT</b>		P.O.#: -
DRAWN BY: KY		W.O.#: -
DATE: 9/15/04	SALES: -	
REFERENCE: -	DRWG./FILE NAME: 33-007-124	scale: 1:4